

342196-1 ✓ ACTIVE

PLASTI-GRIP

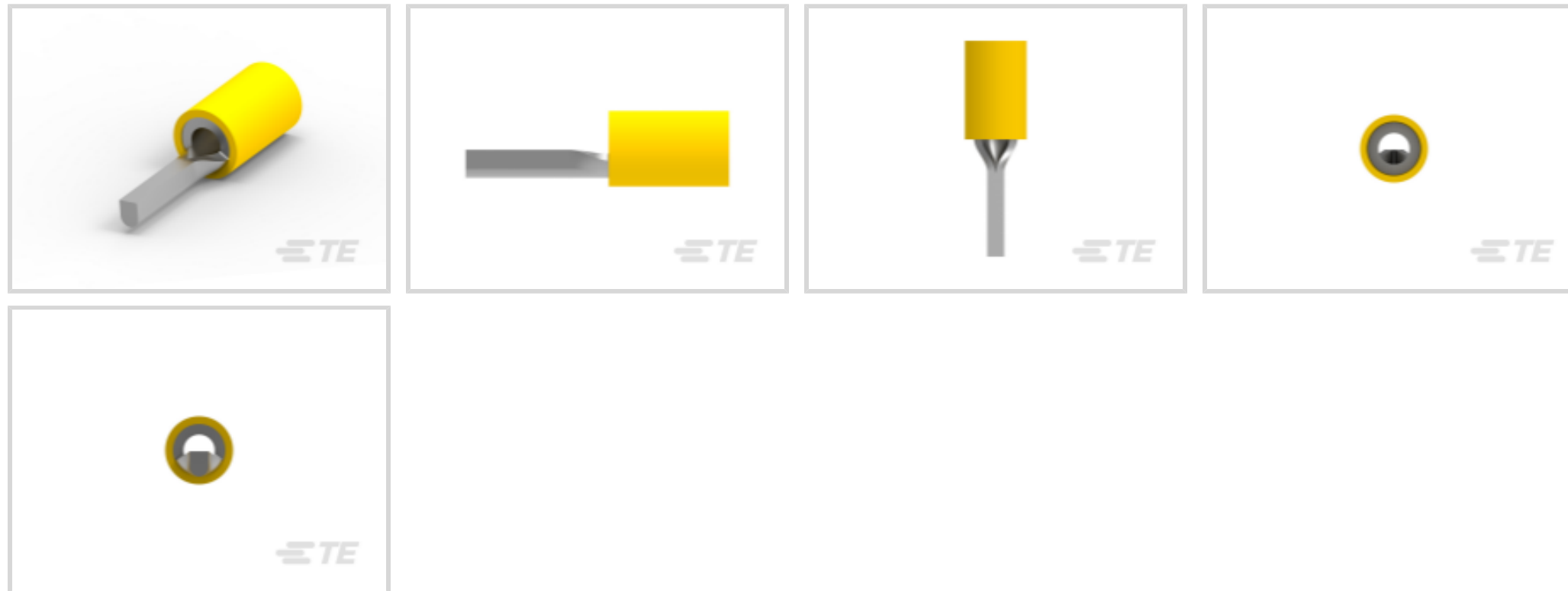
TE Internal #: 342196-1

Crimp Wire Pins, Tabs & Ferrules, Wire Pin, Pin Diameter 2.6 mm [.102 in], 12 – 10 AWG Wire Size, 3 – 6 mm² Wire Size, PLASTI-GRIP

[View on TE.com >](#)



Terminals & Splices > Crimp Wire Pins, Tabs & Ferrules



Crimp Wire Pin, Tab & Ferrule Terminal Type: **Wire Pin**

Pin Diameter: **2.6 mm [.102 in]**

Accepts Wire Insulation Diameter Range: **3.81 – 6.35 mm, 6.4 mm [.15 – .25 in, .25 in]**

Wire Size: **3 – 6 mm²**

Features

Product Type Features

Sealable	No
Compatible With Discrete Wire Type	Solid, Stranded
Wire Insulation Support Retention Type	Insulation Support

Configuration Features

Compatible With Wire & Cable Type	Discrete Wire
-----------------------------------	---------------

Body Features

Insulation Sleeve Material	PVC
Double Wire	No

Contact Features

Crimp Wire Pin, Tab & Ferrule Terminal Type	Wire Pin
Barrel Type	Closed
Terminal Plating Material	Tin
Pin Type	Formed
Pin Style	Round
Terminal Orientation	Straight



Termination Features

Bullet Terminal	Without
-----------------	---------

Mechanical Attachment

Wire Insulation Support	With
-------------------------	------

Dimensions

Pin Diameter	2.6 mm [.102 in]
Accepts Wire Insulation Diameter Range	3.81 – 6.35 mm, 6.4 mm [.15 – .25 in] [.25 in]
Wire Size	5180 – 13100 CMA
Terminal Material Thickness	.99 mm [.039 in]
Overall Product Length	29.4 mm [1.158 in]

Usage Conditions

Insulation Option	Partially Insulated
Operating Temperature Range	105 °C [221 °F]

Operation/Application

Heavy Duty	No
------------	----

Packaging Features

Packaging Method	Loose Piece
------------------	-------------

Other

Barrel Color	Yellow
--------------	--------

Product Compliance

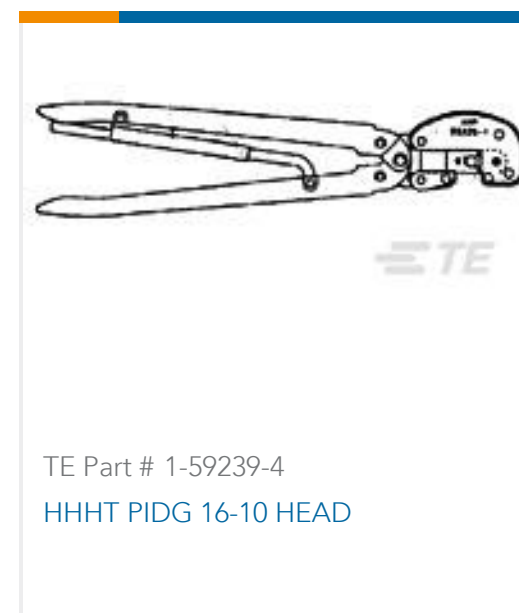
[For compliance documentation, visit the product page on TE.com>](#)

EU RoHS Directive 2011/65/EU	Compliant
EU ELV Directive 2000/53/EC	Compliant
China RoHS 2 Directive MIIT Order No 32, 2016	No Restricted Materials Above Threshold
EU REACH Regulation (EC) No. 1907/2006	Current ECHA Candidate List: JUNE 2022 (224) Candidate List Declared Against: JUL 2021 (219) Does not contain REACH SVHC
Halogen Content	Not Low Halogen - contains Br or Cl > 900 ppm.
Solder Process Capability	Not applicable for solder process capability

Product Compliance Disclaimer

This information is provided based on reasonable inquiry of our suppliers and represents our current actual knowledge based on the information they provided. This information is subject to change. The part numbers that TE has identified as EU RoHS compliant have a maximum concentration of 0.1% by weight in homogenous materials for lead, hexavalent chromium, mercury, PBB, PBDE, DBP, BBP, DEHP, DIBP, and 0.01% for cadmium, or qualify for an exemption to these limits as defined in the Annexes of Directive 2011/65/EU (RoHS2). Finished electrical and electronic equipment products will be CE marked as required by Directive 2011/65/EU. Components may not be CE marked. Additionally, the part numbers that TE has identified as EU ELV compliant have a maximum concentration of 0.1% by weight in homogenous materials for lead, hexavalent chromium, and mercury, and 0.01% for cadmium, or qualify for an exemption to these limits as defined in the Annexes of Directive 2000/53/EC (ELV). Regarding the REACH Regulation, the information TE provides on SVHC in articles for this part number is based on the latest European Chemicals Agency (ECHA) 'Guidance on requirements for substances in articles' posted at this URL: <https://echa.europa.eu/guidance-documents/guidance-on-reach>

Compatible Parts



Also in the Series | **PLASTI-GRIP**



Compression Connectors(3)



Crimp Wire Pins, Tabs & Ferrules(25)



Ring Terminals & Spade Terminals(537)



Splices(49)

Documents

Product Drawings

12-10 F.E.P.G. WIRE PIN

English

CAD Files

3D PDF

3D

Customer View Model

[ENG_CVM_CVM_342196-1_N_c-342196-1-n.2d_dxf.zip](#)

English

Customer View Model

[ENG_CVM_CVM_342196-1_N_c-342196-1-n.3d_igs.zip](#)

English

Customer View Model

[ENG_CVM_CVM_342196-1_N_c-342196-1-n.3d_stp.zip](#)

English

By downloading the CAD file I accept and agree to the [Terms and Conditions](#) of use.

Product Specifications

Application Specification

English

Product Environmental Compliance

Product Compliance

English

Product Compliance

English